

DESCRIPTION

AMC MODEL SWN-0118-1DT-250 A 10 MHz TO 18 GHz SINGLE POLE SINGLE THROW SWITCH HAVING AN INSERTION LOSS OF 3.5 dB MAXIMUM, AN ISOLATION OF 80 dB MINIMUM, AND VSWR OF 2.0:1 MAXIMUM. THE SIZE IS 1.00" x 1.00" x 0.50". THE WEIGHT IS 1.5oz.

SPECIFICATIONS

- FREQUENCY RANGE: 10 MHz TO 18 GHz
- INSERTION LOSS: 3.5 dB MAXIMUM
- ISOLATION: 10 MHz - 2 GHz: 60dB
2 GHz - 18 GHz: 80dB
- VSWR: 2.0:1
- DELAY ON: 150 nSec MAXIMUM
- DELAY OFF: 150 nSec MAXIMUM
- CONTROL: TTL LOGIC
- POWER SUPPLY: +5V @ 60 mA MAXIMUM
-5V @ 60 mA MAXIMUM
- CONNECTORS: SMA FEMALE
- SIZE: 1.00" (L) x 1.00" (W) x 0.50" (H)
- WEIGHT: 1.5 oz. MAXIMUM

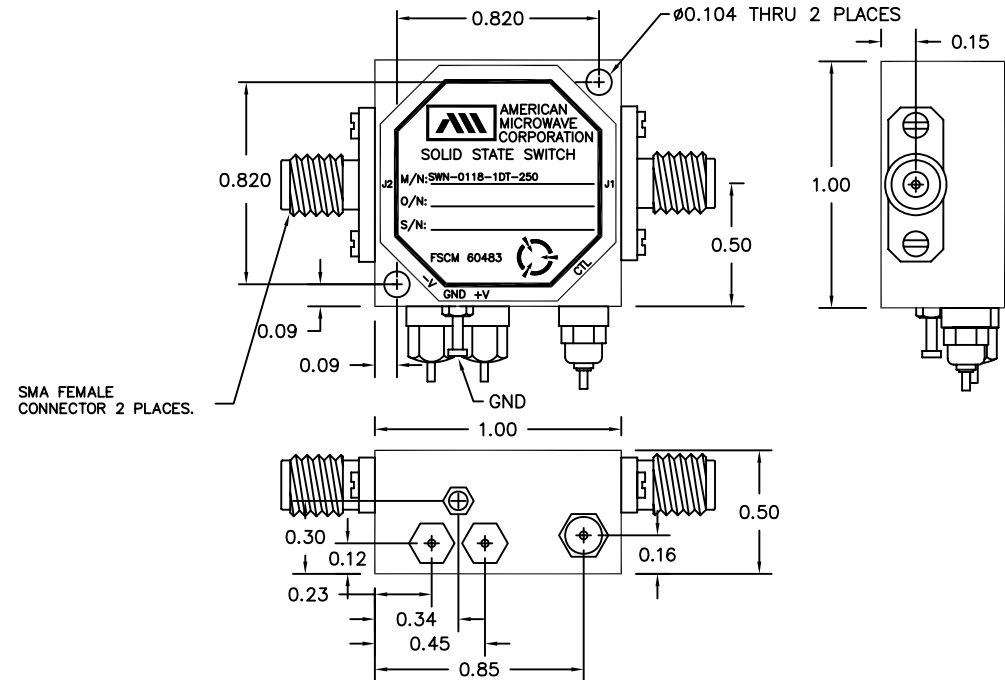
ENVIRONMENTAL RATINGS

- **TEMPERATURE:** -55°C TO +85°C (OPERATING)
-65°C TO +125°C (STORAGE)
- **HUMIDITY:** MIL-STD-202F, METHOD 103B COND. B
- **SHOCK:** MIL-STD-202F, METHOD 213B COND. B
- **VIBRATION:** MIL-STD-202F, METHOD 204D COND. B
- **ALTITUDE:** MIL-STD-202F, METHOD 105C COND. B
- **TEMPERATURE CYCLE:** MIL-STD-202F, METHOD 107D COND. A

NOTE: SPECIFICATIONS WILL VARY OVER OPERATING TEMPERATURE
NOTE: THE ABOVE SPECIFICATIONS ARE SUBJECT TO CHANGE OR REVISION

ALL DIMENSIONS ARE IN INCHES
TOLERANCES:
X.XX ±0.020
X.XXX ±0.010

REVISIONS				
ZONE	REV.	DESCRIPTION	DATE	APPROVED
	-	ORIGINAL RELEASE	8/20/07	



AMERICAN MICROWAVE CORPORATION

7311-G GROVE ROAD
FREDERICK, MARYLAND 21704 USA
TEL: 301-662-4700 FAX: 301-662-4938
WEBSITE: www.americanmicrowavecorp.com
E-MAIL: sales@americanmicrowavecorp.com
ISO 9001:2000 CERTIFIED

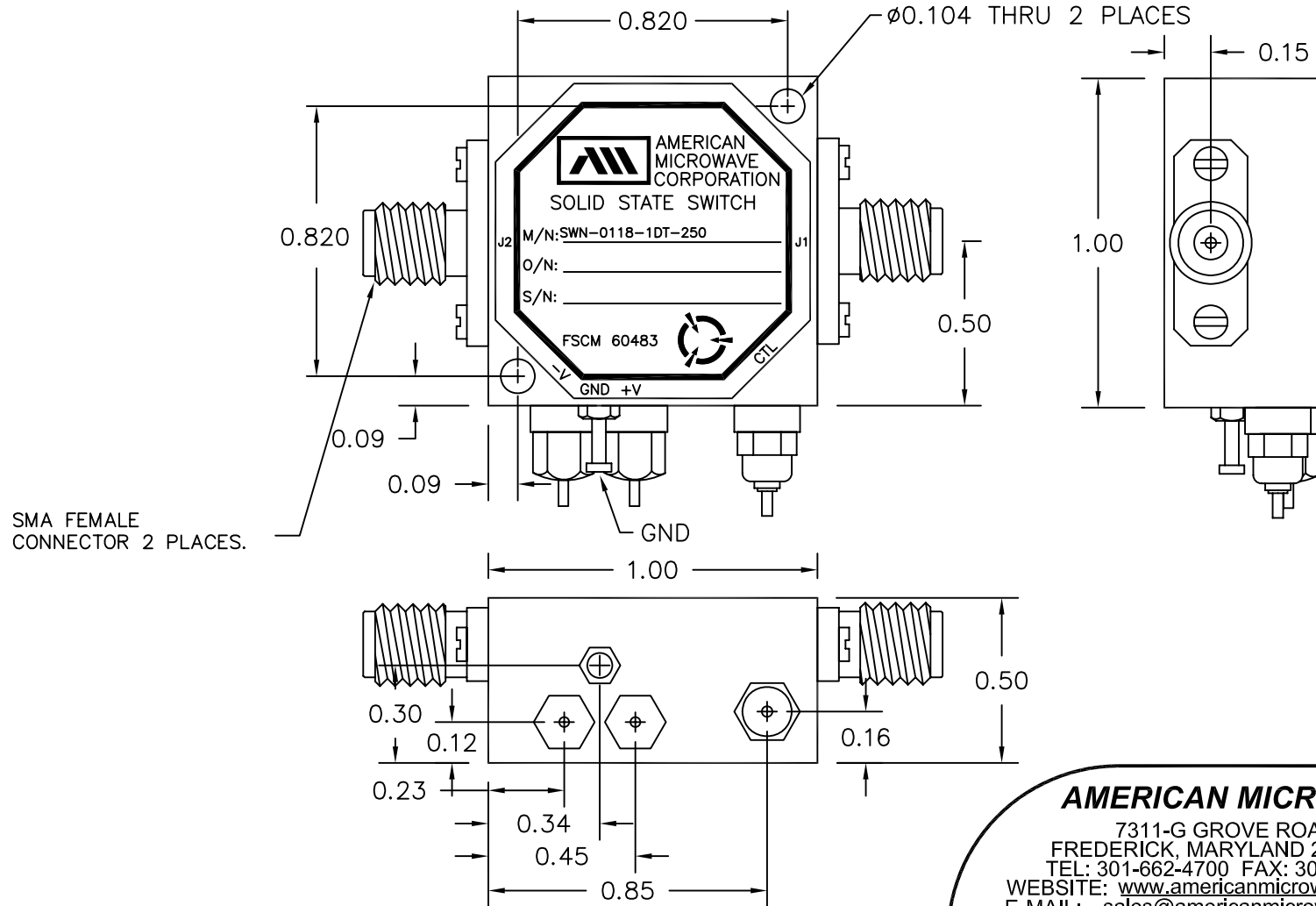


APPROVALS		DATE	TITLE			
DRAWN <i>KMS</i>		8/20/07	PRODUCT FEATURE SWN-0118-1DT-250			
CHECKED			SIZE	FSCM NO.	DWG NO.	REV.
ISSUED			A	60483	100-S014-000	-
			SCALE	N:S		SHEET
					1 OF 3	

DESCRIPTION

AMC MODEL SWN-0118-1DT-250 A 10 MHz TO 18 GHz SINGLE POLE SINGLE THROW SWITCH HAVING AN INSERTION LOSS OF 3.5 dB MAXIMUM, AN ISOLATION OF 80 dB MINIMUM, AND VSWR OF 2.0:1 MAXIMUM. THE SIZE IS 1.00" x 1.00" x 0.50". THE WEIGHT IS 1.5oz.

MECHANICAL OUTLINE



AMERICAN MICROWAVE CORPORATION

7311-G GROVE ROAD
 FREDERICK, MARYLAND 21704 USA
 TEL: 301-662-4700 FAX: 301-662-4938
 WEBSITE: www.americammicrowavecorp.com
 E-MAIL: sales@americammicrowavecorp.com
 ISO 9001:2000 CERTIFIED



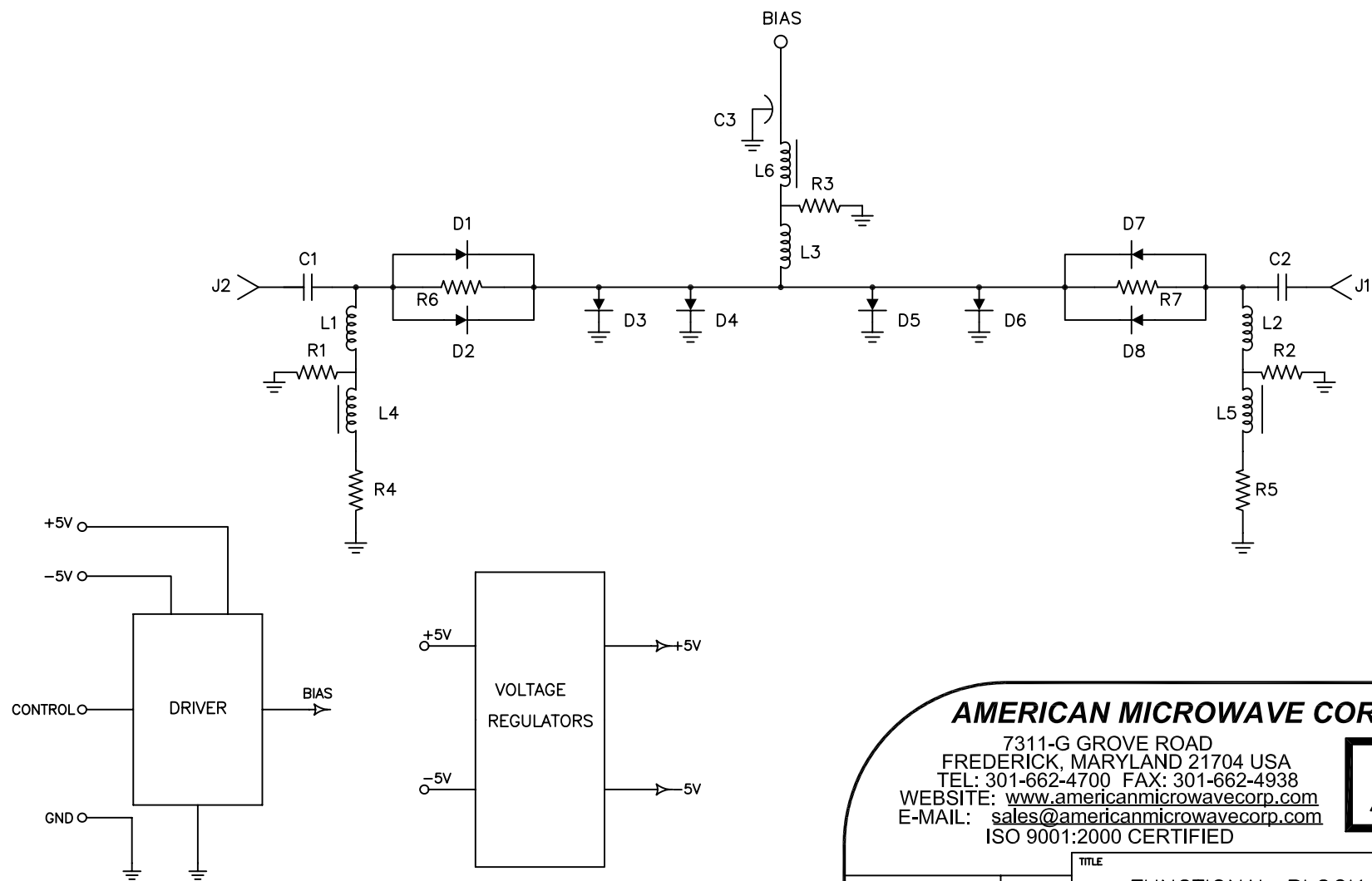
ALL DIMENSIONS ARE IN INCHES
 TOLERANCES:
 X.XX ±0.020
 X.XXX ±0.010

APPROVALS		DATE	TITLE			
DRAWN <i>KMS</i>		8/20/07	MECHANICAL OUTLINE SWN-0118-1DT-250			
CHECKED			SIZE A	FSCM NO. 60483	DWG NO. 100-S014-000	REV. -
ISSUED			SCALE N:S		SHEET 2 OF 3	

DESCRIPTION

AMC MODEL SWN-0118-1DT-250 A 10 MHz TO 18 GHz SINGLE POLE SINGLE THROW SWITCH HAVING AN INSERTION LOSS OF 3.5 dB MAXIMUM, AN ISOLATION OF 80 dB MINIMUM, AND VSWR OF 2.0:1 MAXIMUM. THE SIZE IS 1.00" x 1.00" x 0.50". THE WEIGHT IS 1.5oz.

FUNCTIONAL BLOCK DIAGRAM



CONFIDENTIAL AND PROPRIETARY

AMERICAN MICROWAVE CORPORATION

7311-G GROVE ROAD
 FREDERICK, MARYLAND 21704 USA
 TEL: 301-662-4700 FAX: 301-662-4938
 WEBSITE: www.americamicrowavecorp.com
 E-MAIL: sales@americamicrowavecorp.com
 ISO 9001:2000 CERTIFIED



APPROVALS		DATE	TITLE			
DRAWN		8/20/07	FUNCTIONAL BLOCK DIAGRAM SWN-0118-1DT-250			
CHECKED			SIZE	FSCM NO.	DWG NO.	REV.
			A	60483	100-S014-000	-
ISSUED			SCALE	N:S	SHEET	3 OF 3